



LEGAL IN CALIFORNIA ONLY FOR RACING VEHICLES WHICH MAY NEVER BE USED, REGISTERED OR LICENSED FOR USE UPON A HIGHWAY.

See knfilters.com for CARB status on each part for a specific vehicle

INSTALLATION INSTRUCTIONS

71-1542

DODGE / CHRYSLER

2009-19 Challenger

2006-19 Charger

2005-19 300C

2005-08 Magnum R/T

V8-5.7L

2008-10 Challenger SRT8

2006-10 Charger SRT8

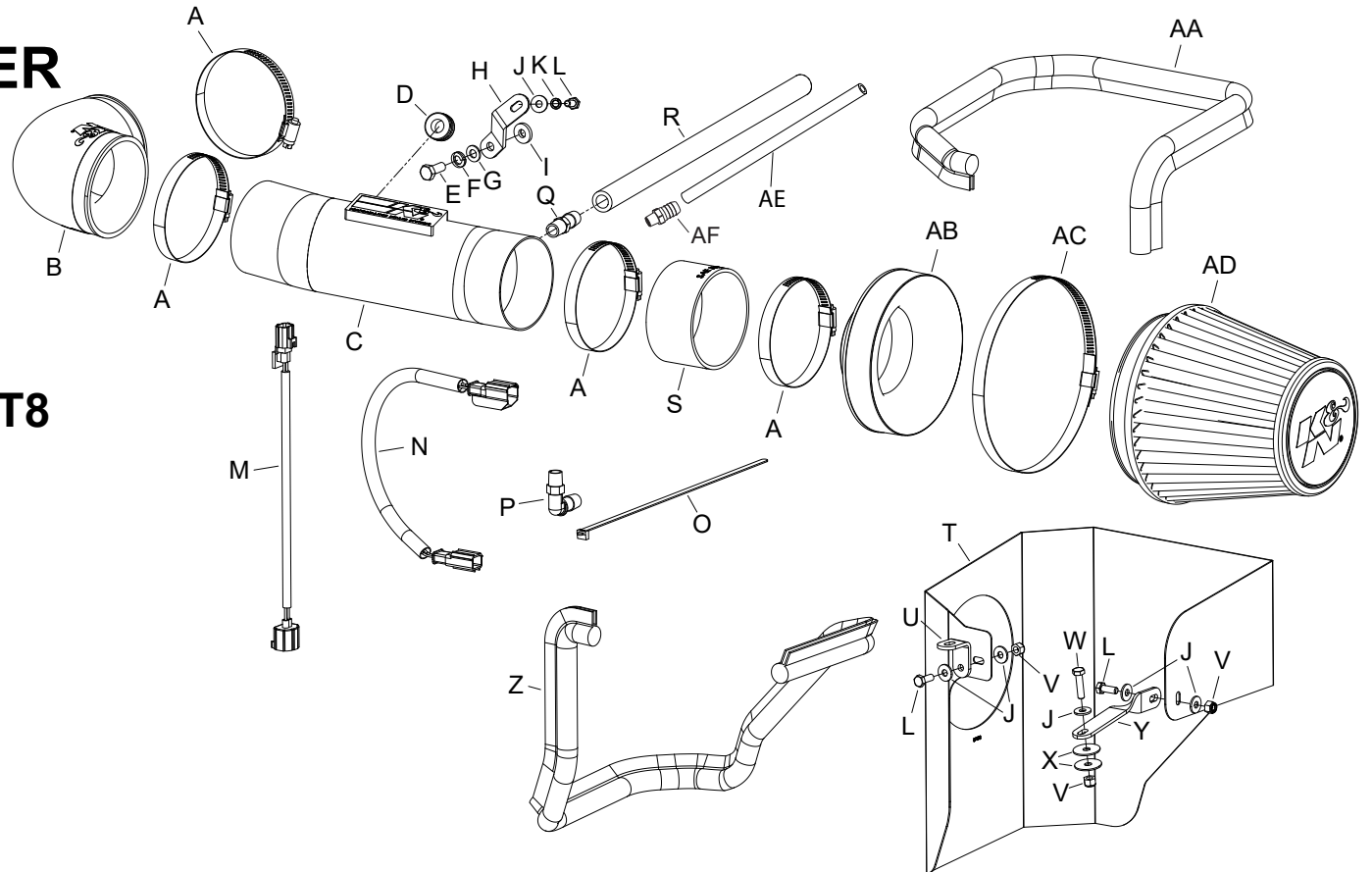
2005-10 300C SRT8

2006-08 Magnum SRT8

V8-6.1L

TOOLS NEEDED:

Ratchet
Extension
Flat Blade Screwdriver
Pliers
10mm Socket
13mm Socket
10mm Wrench
5/8" Wrench



NOTE: Not designed to fit models equipped with SHAKER hoods.

PARTS LIST:

Description	Qty.	Part #	Description	Qty.	Part #	Description	Qty.	Part #
A HOSE CLAMP #56, BLACK ZINC	4	08620KA	K WASHER, M6 SPLIT LOCK ZINC	1	1-3025	U BRACKET; "L", SML	1	070066A
B HOSE; 3.5"ID 90DEG	1	084088	L BOLT; M6-1 X 16MM	3	07812	V NUT; 6MM NYLOCK	3	07512
C INTAKE TUBE; AL	1	27641TK	M EXTENSION HARNESS; IAT	1	21681	W BOLT; M6-1.00 X 25MM	1	07858
D GROMMET; 1"OD, 1/2"ID, 1/2"	1	08064	N EXTENSION HARNESS; IAT	1	21680	X WASHER; 1"D X 1/4 HOLE	2	08160
E BOLT; 8MM-1.25 X 20MM	1	07787	O CABLE TIES; 11" BLACK	1	21590	Y BRACKET; TWIST, SHORT	1	070772A
F WASHER, M8 SPLIT LOCK ZINC	1	1-3036	P VENT; 90DEG, 1/2"HOSE BLK	1	08110FK	Z EDGE TRIM; 30"L	1	102489A
G WASHER; 8MM, FLAT	1	08272	Q VENT; STRT 1/2" HOSE, 1/4"	1	080022	AA EDGE TRIM; 36"L	1	102496A
H BRACKET; "Z" SM.	1	010088A	R HOSE; 1/2" ID X 17" L	1	08177	AB ADAPTER; UNIVERSAL, 6"	1	21512-1
I WASHER; 5/16"ID X 3/4"OD, 1/8"	1	08129	S HOSE; 3.5" ID X 2" L	1	08698	AC HOSE CLAMP #104, BLACK	1	08697KA
J WASHER; 6MM FLAT	6	08269	T HEAT SHIELD	1	07498A	AD AIR FILTER	1	RU-3102HBK
						AE HOSE; 5/8"ID X 17"L	1	08681
						AF FITTING; VENT 1/4"NPT	1	82638

If you need any assistance please call 1-800-858-3333 to speak with a representative in our Customer Service Center before returning the product.

NOTE: FAILURE TO FOLLOW INSTALLATION INSTRUCTIONS AND NOT USING THE PROVIDED HARDWARE MAY DAMAGE THE INTAKE TUBE, THROTTLE BODY AND ENGINE.

TO START:

1. Turn off the ignition and disconnect the negative battery cable.

NOTE: Disconnecting the negative battery cable erases pre-programmed electronic memories. Write down all memory settings before disconnecting the negative battery cable. Some radios will require an anti-theft code to be entered after the battery is reconnected. The anti-theft code is typically supplied with your owner's manual. In the event your vehicles anti-theft code cannot be recovered, contact an authorized dealership to obtain your vehicles anti-theft code.



2. Lift up and remove the decorative engine cover.



3. Release the locking tap and then disconnect the inlet air temperature sensor electrical connection.



4. Loosen the hose clamp that secures the intake hose to the throttle body and then pull the intake tube from the throttle body.



5. On models equipped with a 5.7L. Disconnect the crank case vent hose from the valve cover port.



6. On models equipped with a 6.4L, disconnect the crank case vent from the air filter housing as shown.



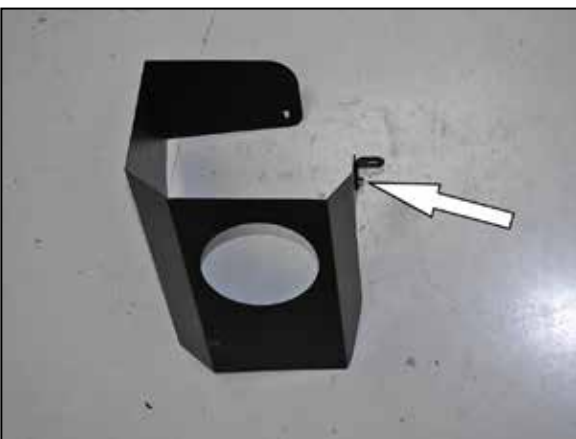
7. Remove the bolt which secures the air filter housing to the core support and then remove the complete air filter system from the vehicle.
NOTE: K&N Engineering, Inc., recommends that customers do not discard factory air intake.



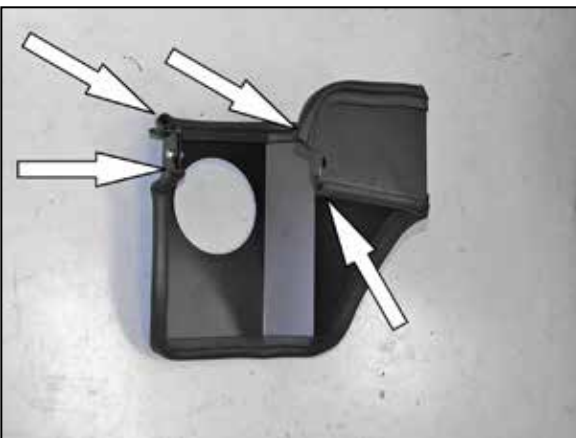
8. Remove the nut securing the factory intake resonator bracket to the engine and then remove the bracket from the engine.



9. Install the heat shield mounting bracket (070772A) onto the core support using the provided hardware.
NOTE: On vehicles equipped the HID headlights, it will be necessary to install the bolt from bottom up.



10. Install the heat shield mounting bracket (070066A) onto the heat shield as shown using the provided hardware.



11. Install the two pieces of edge trim onto the heat shield as shown.



12. Install the heat shield into the vehicle and secure with the provided hardware.
NOTE: Due to vehicle manufacturing tolerances the A/C lines of some vehicles may need to be repositioned slightly so they do not make contact with the heat shield or brackets.



13. Install the tube mounting bracket (010088A) onto the cylinder head as shown. Be sure to place the provided spacer between the bracket and cylinder heads.



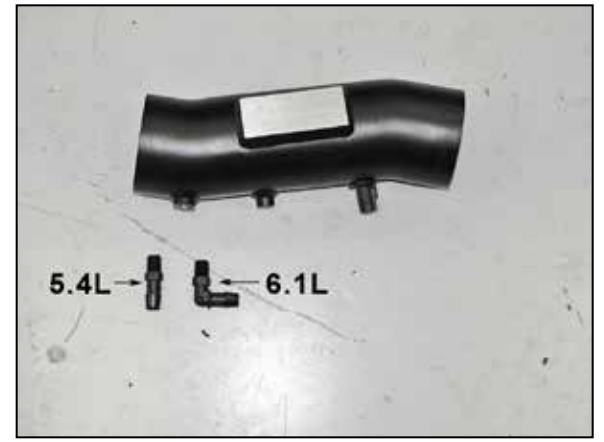
14. Install the provided 90° coupling hose (084088) onto the throttle body and secure with the provided hose clamps



15. Remove the factory inlet air temperature sensor from the factory intake tube.



16. Using the provided grommet, Install the inlet air temperature sensor into the K&N® intake tube,



17. Install the appropriate 1/4npt fitting into the K&N® intake tube. The straight fitting is for 5.7L engines and the 90° fitting is for 6.0L.
NOTE: NPT fitting has tapered threads and only designed to be installed until hand tight, then tighten one rotation or when the fitting becomes difficult to return.



18. Install the K&N® intake tube into the silicone hose and align with the mounting bracket installed earlier. Secure with the provided hardware and hose clamp.



19. Install the provided crank case vent hose onto the fitting on the engine and then connect the open end to the vent on the K&N® intake tube,



20. Connect the extension harness to the factory engine harness and then into the inlet air temperature.



21. Install the filter adapter into the K&N® air filter and secure with the provided hardware.



22. Install the provided coupling hose (08698) onto the filter adapter.



23. Install the filter assembly onto the K&N® intake tube and secure with the provided hose clamp.



24. Reinstall the engine cover.

NOTE: On some models it may be necessary to trim the engine cover for proper fitment as shown.



25. Reconnect the vehicle's negative battery cable. Double check to make sure everything is tight and properly positioned before starting the vehicle.

26. The C.A.R.B. exemption sticker, (attached), must be visible under the hood so that an emissions inspector can see it when the vehicle is required to be tested for emissions. California requires testing every two years, other states may vary.

27. It will be necessary for all K&N® high flow intake systems to be checked periodically for realignment, clearance and tightening of all connections. Failure to follow the above instructions or proper maintenance may void warranty.

ROAD TESTING:

1. Start the engine with the transmission in neutral or park, and the parking brake engaged. Listen for air leaks or odd noises. For air leaks secure hoses and connections. For odd noises, find cause and repair before proceeding. This kit will function identically to the factory system except for being louder and much more responsive.

2. Test drive the vehicle. Listen for odd noises or rattles and fix as necessary.

3. If road test is fine, you can now enjoy the added power and performance from your kit.

4. K&N Engineering, Inc., requires cleaning the Blackhawk Induction™ intake system's air filter element every 100,000 miles. When used in dusty or off-road environments, our filters will require cleaning more often. We recommend that you visually inspect your filter once every 25,000 miles to determine if the screen is still visible. When the screen is no longer visible some place on the filter element, it is time to clean it. To clean, purchase our Synthetic Filter Cleaner, part number 99-0624 and follow the easy instructions.

LEGAL IN CALIFORNIA ONLY FOR RACING VEHICLES WHICH MAY NEVER BE USED, REGISTERED OR LICENSED FOR USE UPON A HIGHWAY.

See knfilters.com for CARB status on each part for a specific vehicle